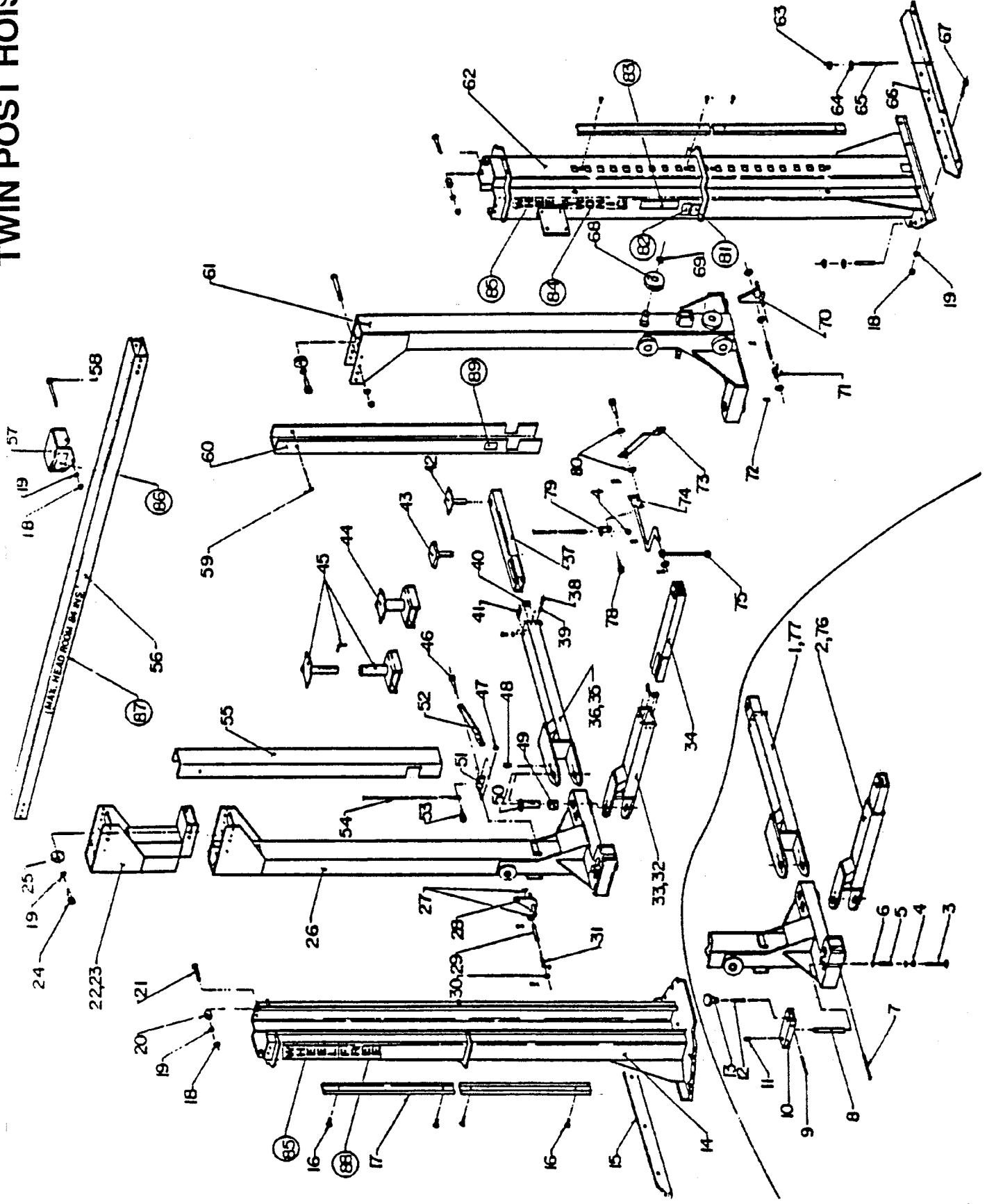


TWIN POST HOIST



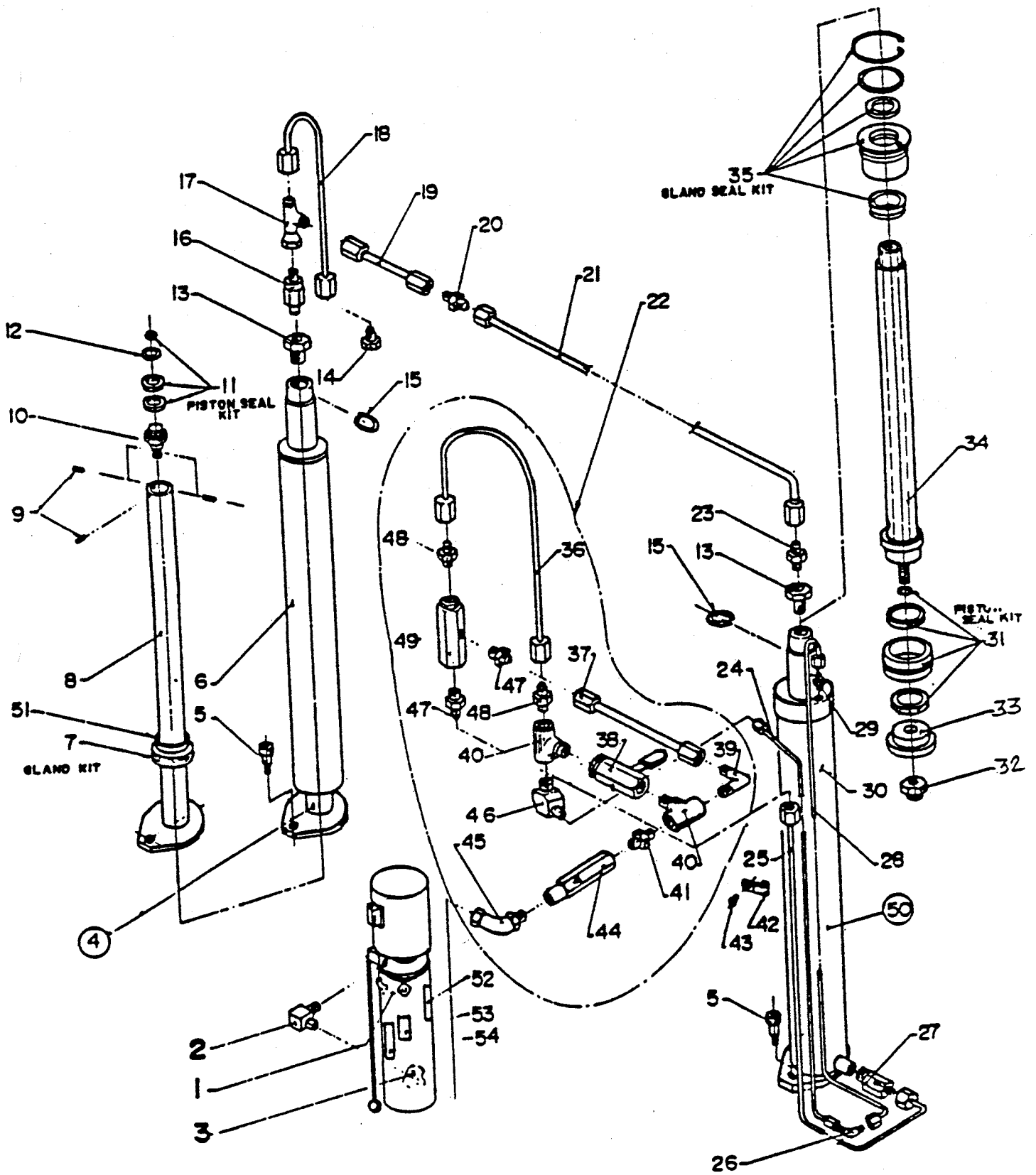
TWIN POST ASSEMBLY

ITEM NO.	PART NO.	QTY.	DESCRIPTION
1.	4-0166	1	LONG LOCKING ARM ASSEMBLY (R.S.)
2.	4-0165	1	MEDIUM LOCKING ARM ASSEMBLY (R.S.)
3.	6-0027	4	HEX BOLT, 1/4" - 20 UNC X 1 1/4" LG.
4.	6-0032	5	HEX NUT 1/4" - 20 UNC
5.	1-0332	4	PLUNGER SPRING
6.	6-0060	4	FLAT WASHER 1/4" I.D.
7.	1-0333	4	PIVOT PIN
8.	1-0334	4	PLUNGER PIN
9.	6-0437	4	ROLL PIN, 1/8" X 1" LG.
10.	2-0249	4	RACK
11.	6-0438	4	SET SCREW, 1/4" - 20 UNC X 1/2" LG.
12.	1-0387	4	THREADED ROD, 3/8" - 16 UNC X 1 1/2" LG.
13.	1-0208	4	KNOB
14.	4-0169	1	TOWER WELDMENT, RIGHT SIDE
15.	3-0097	1	TOWER SUPPORT ANGLE, RIGHT SIDE
16.	6-0335	8	SCREW, 1/4" - 20 UNC X 5/8" LG.
17.	2-0235	4	TOWER SAFETY COVER
18.	6-0035	23	HEX NUT, 1/2" - 13 UNC
19.	6-0059	23	LOCK WASHER, 1/2" I.D.
20.	1-0284	8	CARRIAGE STOP
21.	6-0315	8	HEX BOLT, 1/2" - 13 UNC X 2 1/4" LG.
22.	3-0310	2	EXTENSION WELDING 24" LG. (OPTIONS)
23.	3-0226	2	EXTENSION WELDING 18" LG. (OPTIONS)
24.	6-0069	2	SHOULDER SCREW, 3/8" X 5/8" LG.
25.	1-0415	2	SAFETY CABLE PULLEY
26.	4-0175	1	CARRIAGE WELDMENT, RIGHT SIDE
27.	6-0387	4	THRUST WASHER 1/2" I.D. X .03"
	6-0419	2	THRUST WASHER 1/2" I.D. X .06"
28.	2-0523	1	SAFETY DOG WELDMENT, RIGHT SIDE
29.	1-0260	2	SAFETY DOG PIVOT PIN
30.	6-0063	3	FLAT WASHER, 1/2" I.D.
31.	1-0249	1	SAFETY SPRING, RIGHT SIDE
32.	3-0315	1	RIGHT SIDE MEDIUM OUTER ARM WELD

ITEM NO.	PART NO.	QTY.	DESCRIPTION
33.	3-0318	1	LEFT SIDE MEDIUM OUTER ARM WELD
34.	2-0192	2	INNER ARM MEDIUM WELDING
35.	3-0314	1	RIGHT SIDE LONG OUTER ARM WELD
36.	3-0317	1	LEFT SIDE LONG OUTER ARM WELD
37.	2-0191	2	INNER ARM LONG WELDING
38.	6-0056	16	LOCK WASHER, 1/4" I.D.
39.	6-0339	16	HEX BOLT, 1/4" - 28 UNF X 5/8"LG.
40.	1-0263	4	ARM STOP, SIDE
41.	1-0262	4	ARM STOP, TOP
42.	2-0304	4	LOW LIFTING PAD, (OPTIONS)
43.	3-0170	4	LOW LIFTING PAD, NEOPRENE
44.	3-0194	4	STANDARD TRUCK PAD
45.	3-0218	4	ADJUSTABLE TRUCK PAD ASSEMBLY (OPTIONS)
46.	6-0591	2	SHOULDER SCREW, 5/16" X 1"LG.
47.	6-0362	2	RETAINING RING, 'E' TYPE
48.	6-0423	4	HEX BOLT, 5/16" - 18 UNC X 3/4"LG.
49.	6-0551	8	SELF-LUB. BRONZE BEARING
50.	2-0439	4	ARM PIN
51.	1-0326	1	SAFETY LINKAGE PIVOT
52.	3-0108	1	SAFETY LINK, LONG RIGHT SIDE
53.	6-0244	1	SHOULDER SCREW 1/4" X 3/8"LG.
54.	1-0239	1	SAFETY CABLE
	1-0736	1	SAFETY CABLE (EXTENSION 24" LG.)
	1-0737	1	SAFETY CABLE (EXTENSION 18" LG.)
55.	3-0126	1	CARRIAGE COVER, RIGHT SIDE
56.	3-0093	1	CROSS MEMBER
57.	3-0109	1	MOTOR HOIST BRACKET
58.	6-0290	7	HEX BOLT, 1/2" - 13 UNC X 5 1/2"LG.
59.	6-0297	4	SELF-TAPPING SCREW, NO. 10 X 3/4"LG.
60.	3-0125	1	CARRIAGE COVER, LEFT SIDE
61.	4-0174	1	CARRIAGE WELDMENT, LEFT SIDE
62.	4-0170	1	TOWER WELDMENT, LEFT SIDE

ITEM NO.	PART NO.	QTY.	DESCRIPTION
63.	6-0036	16	HEX NUT, 5/8" - 11 UNC.
64.	6-0064	16	FLAT WASHER, 5/8" I.D.
65.	6-0316	16	WEDGE ANCHOR, 5/8" - 11 UNC X 5" LG.
66.	3-0096	1	TOWER SUPPORT ANGLE LEFT SIDE
67.	6-0047	8	HEX BOLT, 1/2" - 13 UNC X 1 3/4" LG.
68.	2-0496	12	CARRIAGE WHEEL
69.	6-0233	12	RETAINING RING, FOR WHEEL 1 3/8" I.D.
70.	2-0522	1	SAFETY DOG WELDMENT, LEFT SIDE
71.	1-0369	1	SAFETY SPRING, LEFT SIDE
72.	6-0267	7	COTTER PIN 1/8" DIA. X 1" LG.
73.	3-0107	1	SAFETY LINK, LONG, LEFT SIDE
74.	3-0137	1	SAFETY RELEASE LEVER
75.	2-0293	1	SAFETY RELEASE HANDLE
76.	4-0177	1	LONG LOCKING ARM ASSEMBLY (L.S..)
77.	4-0176	1	MEDIUM LOCKING ARM ASSEMBLY (L.S..)
78.	6-0240	1	SHOULDER SCREW, 1/4" X 1/4" LG.
79.	1-0259	1	CABLE CONNECTING BRACKET
80.	6-0295	4	PLAIN WASHER, 5/16" I.D.
81.	6-0397	1	SERIAL NO. PLATE
82.	6-0398	1	"ALI" PLATE
83.	6-0592	1	"CAUTION" DECAL
84.	6-0480	1	"TRONIC" DECAL
85.	6-0478	2	"WHEEL" DECAL
86.	6-0352	1	"MAX CAP. 1000 LB." DECAL
87.	6-0353	1	"MAX. HEAD ROOM 84" INC." DECAL
88.	6-0479	1	"FREE" DECAL
89.	6-0349	1	"SAFETY RELEASE" DECAL

TWIN POST HYDRAULICS

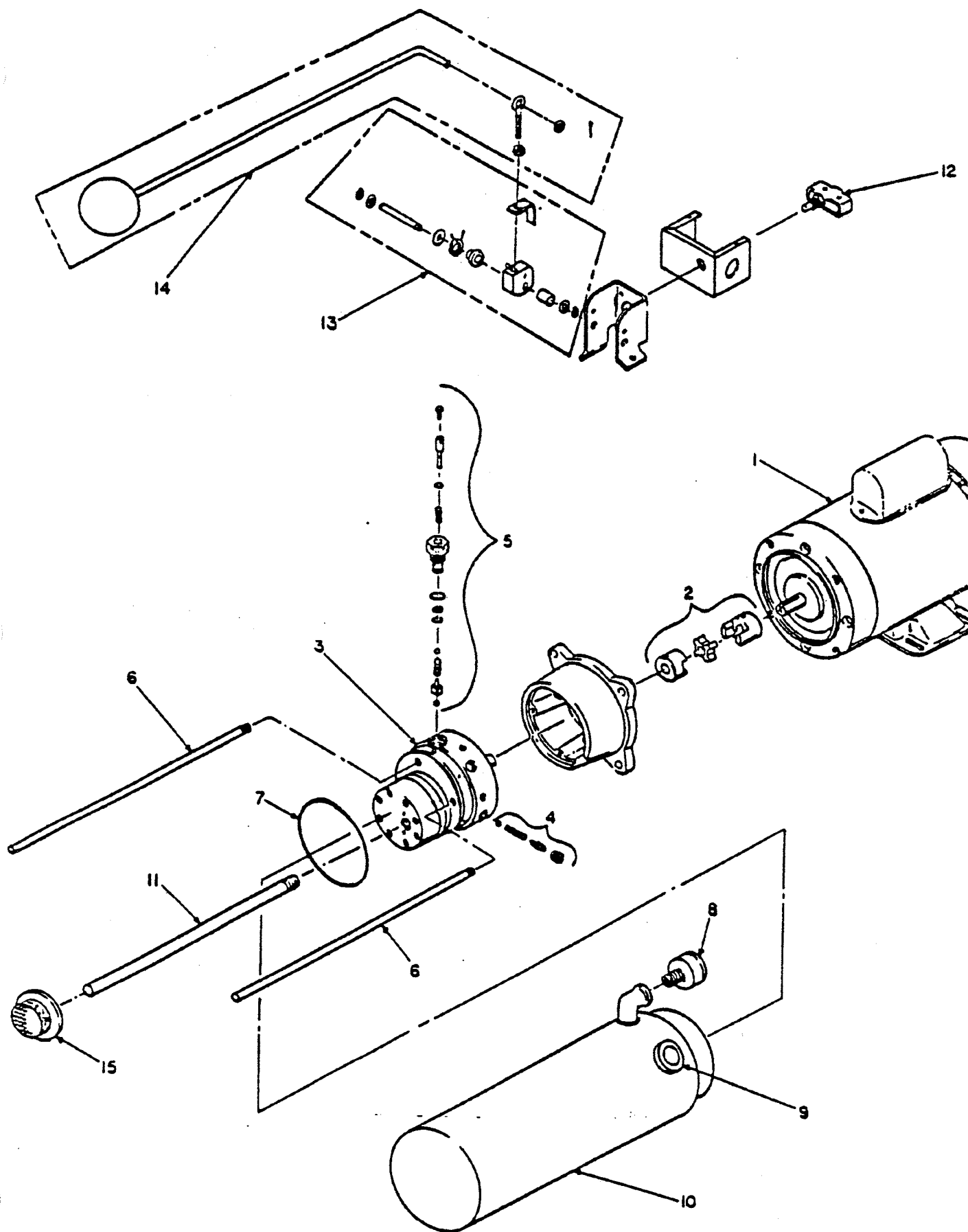


TWIN POST HYDRAULICS

ITEM NO.	PART NO.	QTY.	DESCRIPTION
1.	6-0303	1	POWER PACK INC. 90 ELBOW
2.	6-0268	1	ELBOW 90, 3/8"M, NPT 3/8"M, NPT
3.	6-0379	4L	HYDRAULIC OIL, ISO-32 (12 LITERS)
4.	4-0171	1	CYLINDER ASSEMBLY (RIGHT SIDE)
5.	6-0425	2	SHOULDER SCREW
6.	3-0328	1	CYLINDER BARREL WELDMENT
7.	0-0162	1	GLAND KIT, RIGHT SIDE
8.	3-0329	1	PISTON ROD WELDING
9.	6-0580	3	ALLEN HD 1/4" -20 UNC 3/8"LG. SET SCREW
10.	2-0511	1	PISTON
11.	0-0159	1	PISTON SEAL KIT (RIGHT SIDE)
12.	1-0725	1	KEEPER WASHER
13.	6-0285	2	ADAPTER, 3/4"M, NPT 3/8"F, NPT
14.	6-0371	1	PLUG, 3/8" JIC
15.	6-0340	2	CIRCLIP
16.	6-0345	1	ADAPTER, 3/8"M, JIC 3/8"M, NPT 2 1/4"LG.
17.	6-0284	1	TEE 3/8"F, JIC, SWVEL 3/8"M, JIC 3/8"M, JIC
18.	1-0093	1	TUBE ASSEMBLY, 3/8" I.D.
19.	3-0112	1	TUBE ASSEMBLY, 3/8" I.D.
20.	6-0286	1	UNION, 3/8"M, JIC 3/8"M, JIC
21.	3-0113	1	TUBE ASSEMBLY, 3/8" I.D.
22.	3-0139	1	HYDRAULIC FITTING ASSEMBLY
23.	6-0011	1	ADAPTER, 3/8"M, NPT, 3/8"M, JIC
24.	3-0110	1	TUBE ASSEMBLY, 1/4" I.D.
25.	3-0114	1	TUBE ASSEMBLY, 1/4" I.D.
26.	6-0278	1	ELBOW 90, 1/4"M, JIC 1/4"M, JIC
27.	6-0422	1	VELOCITY FUSE, 4 GPM
28.	3-0229	1	TUBE ASSEMBLY, 1/4" I.D.
29.	6-0280	1	ADAPTER, 1/8"M, NPT, 1/4"M, JIC
30.	3-0334	1	CYLINDER BARREL WELDING
31.	0-0160	1	PISTON SEAL KIT, LEFT SIDE
32.	6-0586	1	NILON INSERT LOCKNUT 7/8" 9 UNC.
33.	2-0521	1	PISTON SPIGOT
34.	3-0335	1	PISTON ROD WELDMENT

ITEM NO.	PART NO.	QTY.	DESCRIPTION
35.	0-0161	1	GLAND SEAL KIT, LEFT SIDE
36.	1-0280	1	TUBE ASSEMBLY, 1/4" I.D.
37.	1-0281	1	TUBE ASSEMBLY, 3/8" I.D.
38.	6-0272	1	BALL VALVE
39.	6-0274	1	ELBOW 90, 3/8"M, JIC 1/4"M, NPT
40.	6-0271	1	TEE, 1/4"M, NPT, 3/8"F, NPT
41.	6-0270	1	ADAPTER, 1/4"M, NPT, 3/8"M, NPT
42.	6-0536	2	TUBE CLAMP
43.	6-0136	2	1/4" - 20 UNC X 1/2" LG. RD. HD. SCREW
44.	6-0090	1	FLOW CONTROL
45.	6-0269	1	ELBOW 135, 3/8" SWIVEL F, NPT 3/8"M, NPT
46.	6-0279	1	ELBOW 135, 1/4"M, NPT 1/4"M, NPT
47.	6-0276	2	ADAPTER, 1/4"M, NPT 3/8"M, JIC
48.	6-0281	2	ADAPTER, 1/4"M, JIC 1/4"M, NPT
49.	6-0277	1	PILOT-OPERATED CHECK VALVE
50.	4-0173	1	DOUBLE-ACTION HYDRAULIC CYLINDER ASS'Y
51.	1-0734	1	FELT STRIP
52.	6-0593	1	"LIFT OPERATION" DECAL
53.	6-0594	1	"NOTICE" DECAL
54.	6-0595	1	"WARNING" DECAL

TWIN POST POWER PACK



WIN POST POWER PACK

ITEM NO.	PART NO.	QTY.	DESCRIPTION
1.	6-0450	1	ELECTRIC MOTOR 2 HP HT 3600 RPM
2.	6-0451	1	COUPLING ASSEMBLY
3.	6-0452	1	PUMP ASSEMBLY
4.	6-0453	1	RELIEF VALVE ASSEMBLY
5.	6-0454	1	LOWERING VALVE ASSEMBLY
6.	6-0455	1	RETURN TUBE
7.	6-0456	1	"O" RING
8.	6-0457	1	FILTER BREATHER CAP
9.	6-0458	1	SIGHT GAUGE
10.	6-0459	1	RESERVOIR
11.	6-0460	1	SUCTION TUBE
12.	6-0461	1	MICRO - SWITCH
13.	6-0462	1	LINKAGE ASSEMBLY
14.	6-0463	1	HANDLE ASSEMBLY
15.	6-0464	1	SUCTION STRAINER